

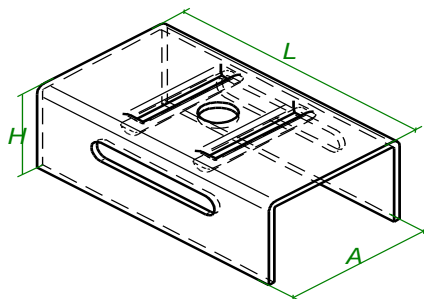
**DESCRIPTION OF THE PRODUCT**

GEOANC is a specially developed wall tie made of stainless steel that holds the masonry to the structural elements of the building. It allows the vertical and horizontal movements of the masonry. The GEOANC set is composed by two pieces: the "U" type part (common to all GEOANC references) will be fixed to the structure of the building and the "Omega" part (five different references depending on the cavity wall distance) has its ends embedded into the masonry mortar joint. The geometry of the "Omega" allows checking after execution of the wall visually of correct positioning.

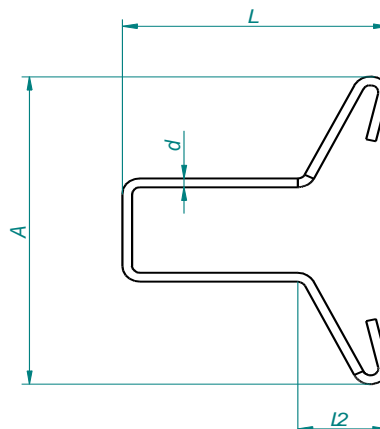
This anchor has three functions:

- 1- Avoids cracking of the building
- 2- Reduces the slenderness of the building
- 3- Avoids the overturn of the wall

**DIMENSIONS (in mm)**



"U" type part



Omega

REFERENCE	L	A	H	SHEET THICKNESS
"U" type part	64 ±0,5	36 ±0,5	22 ±0,5	1,5 ±0,1

REFERENCE	L	L2	A	d
Omega 0	75 ±3	-	55 ±2,5	4,7 ±0,1
Omega 1	75 ±3	45 ±2	165 ±3	4,7 ±0,1
Omega 2	125 ±3	45 ±2	165 ±3	4,7 ±0,1
Omega 3	175 ±3	45 ±2	165 ±3	4,7 ±0,1

**QUALITY OF THE STEEL**

Meets the specifications of EN 10088

**COATING**

R3 (Stainless steel)

**CE MARKED ACCORDING TO EN 845-1**



Quality control approved by:

