

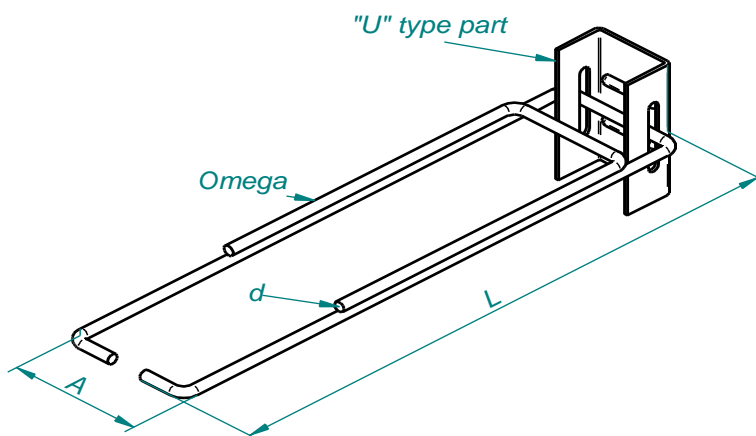
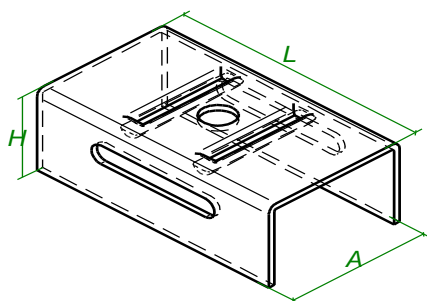
DESCRIPTION OF THE PRODUCT

GEOANC CDM 5s and 5 are metallic elements of stainless steel whose function is the fixation or retention of the building to the structural elements that allow freedom of movement in two directions contained in the plane of the wall, with a cavity wall homogeneous and big. The GEOANC set is composed by two pieces: the reinforced "U" type part (common to all GEOANC references) and the "Omega" part (two different references depending on the cavity wall distance). These two components are previously assembled

This anchor has three functions:

- 1- Avoids cracking of the building
- 2- Reduces the slenderness of the building
- 3- Avoids the overturn of the wall

DIMENSIONS (in mm)



"U" type part

Omega

REFERENCE	L	A	H	SHEET THICKNESS
"U" type part	64 ±0,5	36 ±0,5	22 ±0,5	1,5 ±0,1

REFERENCE	L	A	d
Omega 5s	214 ±3	60 ±2,5	4,7 ±0,1
Omega 5	250 ±3	60 ±2,5	4,7 ±0,1

QUALITY OF THE STEEL

Meets the specifications of EN 10088

COATING

R3 (Stainless steel)

CE MARKED ACCORDING TO EN 845-1



Quality control approved by:

