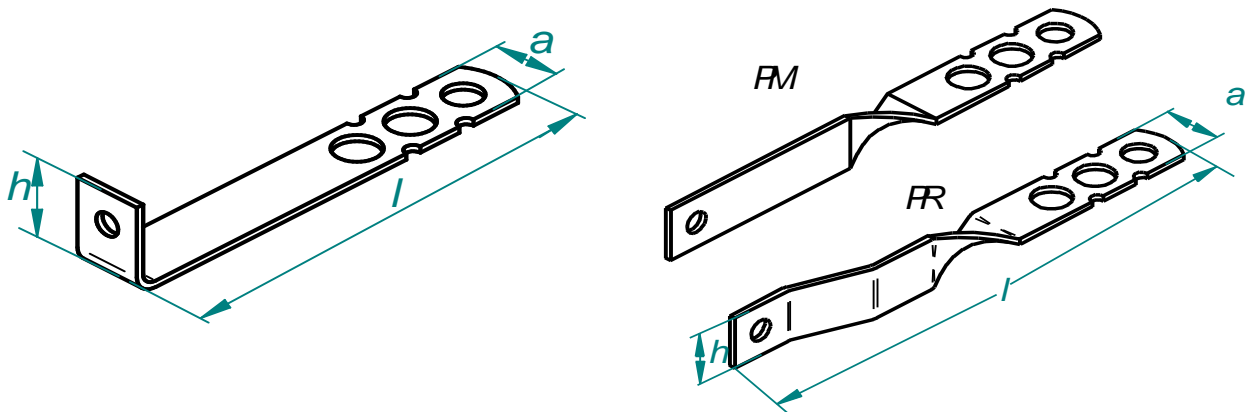


DESCRIPTION OF THE PRODUCT

FISUANC PR / PM / PL are metallic elements in stainless steel that tie the masonry to the structural supports in order to transmit all or part of the horizontal force due to the wind. These ties are rigid and don't allow differential movements between the masonry and the structural element.

DIMENSIONS



DIMENSIONS (in mm)

REFERENCE	length (l)	width (a)	height (h)	thickness
Fisuanc PM	162 ±2	19 ± 0,5	19 ± 0,5	2 ± 0.1
Fisuanc PR	162 ±2	19 ± 0,5	19 ± 0,5	2 ± 0.1
Fisuanc PL- 108	108 ±2	19 ± 0,5	29 ± 1	2 ± 0.1
Fisuanc PL- 150	150 ±2	19 ± 0,5	29 ± 1	2 ± 0.1

QUALITY OF THE STEEL

According to standard EN 10088

COATING

R3 (Stainless steel)

CE MARKED ACCORDING TO EN 845-1

